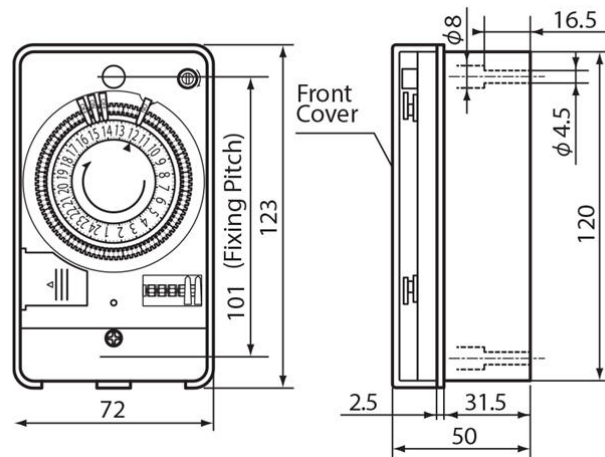


TECHNICAL DATA SHEET

TB118NE7

Time Switch Surface mount, With battery backup, Voltage contact output, Single pole, single through



Unit: mm

Technical Specification

Product	Surface mount, With battery backup, Voltage contact output, Single pole, single through
Type	TB11N
Voltage	220-240V
Frequency	AC 50Hz
Drive Method	Quartz Motor
Power Failure Backup Time	300 hours
Time Precision	±15 sec. / month (at 25°C)
Circuit Configuration	Same Circuit
Switch Construction	Single Pole, Single Through (1a Contact)
Minimum Setting Interval	30 min.
No. of On / Off Operation	Standard 6 operations[Max 48 operations]

Disclaimer: All information contained here is given according to our specifications and best knowledge and can be changed without further notice. This documentation is not intended as a substitute for and is not to be used for determining suitability or reliability of these products for specific user applications. It is the duty of any such user or integrator to perform the appropriate and complete risk analysis, evaluation and testing of the products with respect to the relevant specific application or use thereof. Neither Panasonic Middle East and Africa FZE nor any of its affiliates or subsidiaries shall be responsible or liable for misuse of the information contained herein.